



SIDE CHANNEL RING BLOWER





Matrix Certificate of Test

WE HEREBY CERTIFY THAT:
 Certificate No.: R10081601E
 H.S. Machinery Co., Ltd
 No.5, Lane 632, Chung Cheng Rd., Shulin City 238, Taipei Hsien, Taiwan.
 Side Channel Ring Compressor
 RB20
 RB30, RB40, RB50, RB60, RB80, RB30-1, RB40-1, RB50-1, RB60-1, RB60-4

CE

AND KEEPS ALL REQUIREMENTS ACCORDING TO THE FOLLOWING REGULATIONS

Test Standards:

EN 61000-6-4:2007	IEC 61000-3-2:2005 + A1:2008 + A2:2009
	IEC 61000-3-3:2008
EN 61000-6-2:2005	IEC 61000-4-2:2008
	IEC 61000-4-3:2006 + A1:2007
	IEC 61000-4-4:2004
	IEC 61000-4-5:2005
	IEC 61000-4-6:2008
	IEC 61000-4-8:1993 + A1:2000
	IEC 61000-4-11:2004

IS IN COMPLIANCE WITH THE EUROPEAN COUNCIL DIRECTIVE 2004/108/EC WITHIN CE MARKING REQUIREMENT.

Name of Laboratory : Matrix Test Laboratory
 Site Location : 2F, No. 146, Jian Yi Rd., Chung-Ho City, Taipei Hsien, Taiwan, R.O.C.
 Issue Date : Aug. 27, 2010
 Approved by :

Peter Chen / Managing Director

This certification shall not be reproduced without the written approval of the laboratory.
 The certification is valid only in accordance with the test report No. R10081601E. The confirmation is valid only if the product is manufactured in accordance with the test report.

CSA INTERNATIONAL Certificate of Compliance

Certificate: 1061705 Master Contract: 170573 (LR 41001)
 Project: 138420 Date Issued: March 21, 2009

PART B - Three Phase

Model No	Volts	Amps		Max. Pressure (psi)	
		50 Hz	60 Hz	50 Hz	60 Hz
RB20-53U	208-240/416-480	1.4/ 0.7	1.2/ 0.6	0.85	1.3
-56U	208-240	1.4	1.2	"	"
-57U	416-480	0.7	0.6	"	"
RB30-53U	208-240/416-480	2.3/ 1.2	2/ 1	1.4	1.9
-56U	208-240	2.3	2	"	"
-57U	416-480	1.15	1	"	"
RB40-43U	208-240/416-480	5.9/2.95	4/2	2.03	1.96
-46U	208-240	5.9	4	"	"
-47U	416-480	2.95	2	"	"
-53U	208-240/416-480	4.7/2.4	4.8/ 2.4	2.6	2.6
-56U	208-240	4.7	4.5	"	"
-57U	416-480	2.4	2.4	"	"
-63U	208-240/416-480	6/3	5.8/2.9	2.9	3.33
-66U	208-240	6	5.8	"	"
-67U	416-480	3	2.9	"	"
RB50-51U	208-240/416-480	6.0/3	5.4/ 2.7	2.4	2.3
-56U	208-240	6	5.4	"	"
-57U	416-480	3	2.7	"	"
-63U	208-240/416-480	9/4.5	9.2/4.6	3.92	3.92
-66U	208-240	9	9.2	"	"
-67U	416-480	4.5	4.6	"	"
RB60-53U	208-240/416-480	9/4.5	9/4.5	3	2.9
-56U	208-240	9	9	"	"
-57U	416-480	4.5	4.5	"	"
-63U	208-240/416-480	10.5/ 5.2	10.5/ 5.2	3.3	3.3
-66U	208-240	10.5	10.5	"	"
-67U	416-480	5.2	5.2	"	"
-73U	208-240/416-480	11.6/5.8	16/8	4.35	4.78
-76U	208-240	11.6	16	"	"
-77U	416-480	5.8	8	"	"

Notes:
 1. Certified as components of various electrical equipment where the suitability of combination will be determined in the final application.
 2. The motors have protection systems that are dependent upon external circuitry. Therefore, the ability of the protection systems to suitably protect the motors were not evaluated in this application and shall be evaluated in the end products where the complete protection circuitry is in place.

APPLICABLE REQUIREMENTS
 CSA Std C22.2 No. 68-1992 - Motor-Operated Appliances
 UL Std. No. 73 - Motor-Operated Appliances

1000 8799 888888

CSA INTERNATIONAL Certificate of Compliance

Certificate: 1061705 Master Contract: 170573 (LR 41001)
 Project: 138420 Date Issued: March 21, 2009

Issued to:

The products listed below are eligible to bear the CSA Mark shown, with adjacent indicator "C" and "US".

Authorized by: *James Hwang*
 Director, Far East Operation

PRODUCTS
 CLASS 9091 01 - MISCELLANEOUS
 CLASS 9091 81 - MISCELLANEOUS - Certified to US Standards

Ring compressor/blower or vacuum fan, 50/ 60 Hz, for use in miscellaneous commercial applications.

PART A - Single Phase

Model No	Volts	Amps		Max. Pressure (psi)	
		50 Hz	60 Hz	50 Hz	60 Hz
RB20-51U	108-120/ 216-240	2.4/ 1.2	3.2/ 1.6	1	1.3
-54U	108-120	2.4	3	"	"
-55U	216-240	1.2	1.6	"	"
RB30-51U	108-120/ 216-240	3.4/ 1.7	4.5/ 2.3	1.28	1.5
-54U	108-120	3.4	4.5	"	"
-55U	216-240	1.7	2.3	"	"
RB40-51U	108-120/ 216-240	12/ 6	10.7/ 5.3	2.0	2.3
-54U	108-120	12	10.7	"	"
-55U	216-240	6	5.3	"	"
-61U	108-120/ 216-240	14.5/ 7.25	16.6/ 8.3	2.76	2.61
-64U	108-120	14.5	16.6	2.76	2.61
-65U	216-240	7.25	8.3	2.76	2.61
RB50-51U	108-120/ 216-240	20/ 10	20/ 10	2.1	2.4
-54U	108-120	20	20	"	"
-55U	216-240	10	10	"	"

The "C" and "US" indicators adjacent to the CSA Mark signify that the product has been evaluated to the applicable CSA and ANSI/UL Standards, for use in Canada and the U.S., respectively. This "US" indicator includes products eligible to bear the "NRTL" indicator. NRTL, i.e. National Recognized Testing Laboratory, is a designation granted by the U.S. Occupational Safety and Health Administration (OSHA) to laboratories which have been recognized to perform certification in U.S. Standards.

0201 8799 2888888

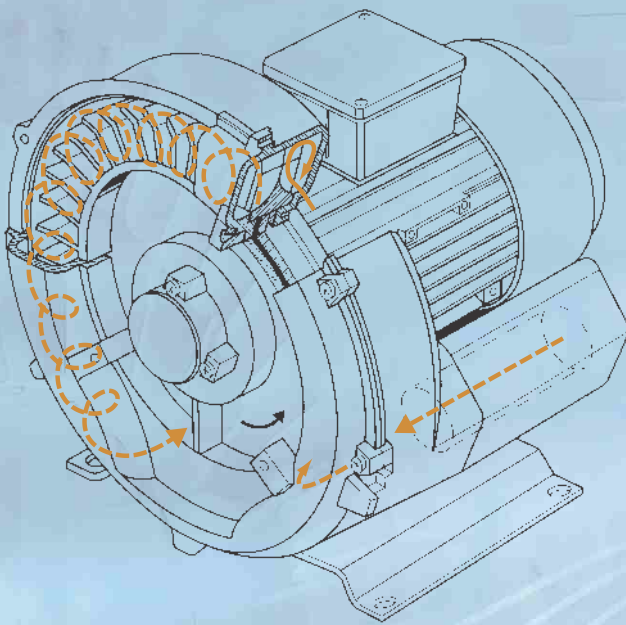


Operating Principle and Application

Prinsip operasi & aplikasi

Gas yang tersedot mengalir melalui ruang kompresi sepanjang lintasan helical dan berulang kali dipercepat oleh dorongan sentrifugal dari impeller. Akibatnya tekanan yang lebih tinggi akan diperoleh pada slot pembuangan, impeller yang dipasang langsung pada poros motor berputar dengan lancar tanpa gesekan dan dengan demikian tidak diperlukan lagi pelumas. Perbedaan tekanan tentu akan tetap stabil.

Ring Blower banyak digunakan pada sistem konveyor pneumatik, mesin tekstil, mesin cetak, proses PCB, pengumpulan debu, kolam ikan, tambak, spa, perangkat penyedot untuk perawatan gigi, penyortiran dan pengiriman kertas, pengangkatan dan penahanan, mesin pengemas, pengolahan air limbah, dan lainnya.



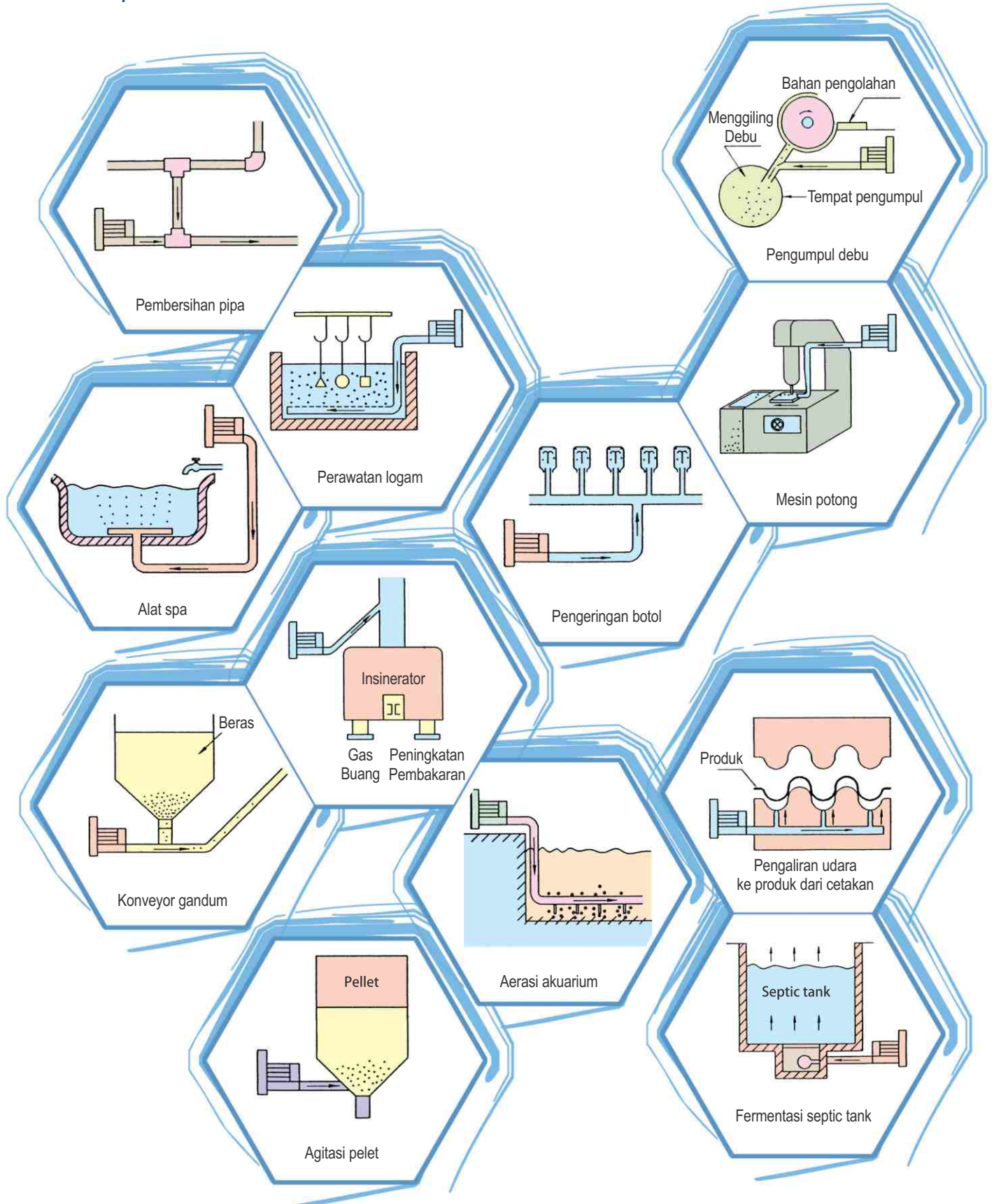
Features and Advantages

Fitur & kelebihan

- Casing (kecuali RB80) dan impeller terbuat dari campuran aluminium dan mempunyai fitur unggul atas kekuatan mekanik, daya tahan, berat yang ringan & tampilan yang halus
- Side channel blower seri RB didesain untuk memenuhi syarat keamanan IEC / UL / CSA dan telah mendapat persetujuan mereka.
- Memenuhi CE Norm : 89/336, 73/23, EN60204-1, EN50081-2, EN50082-2.
- Tingkat perlindungan : Ip54 / Ip55
- Kelas isolasi : F (155°C)
- Rentang tegangan :
 - 1 Phase, 100~120 / 200~240 VOLT
 - 1 Phase, 108~120 / 216~240 CSA/UL
 - 3 Phase, 200~240 / 380~440 VOLT
 - 3 Phase, 208~240 / 416~480 VOLT CSA/UL
- Frekuensi : 50 / 60 Hz
- Instalasi : Aspek apapun. (kecuali RB20,30)

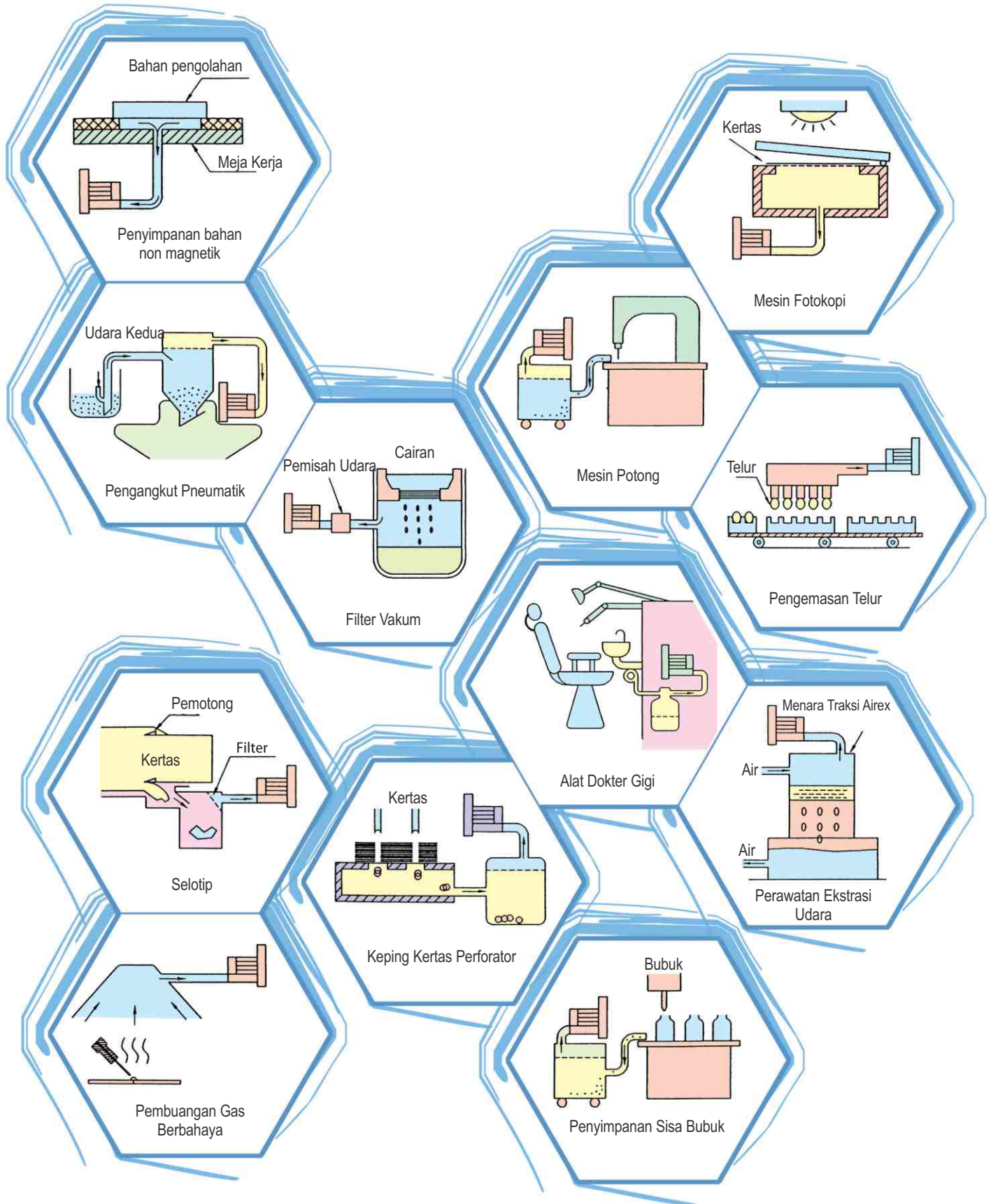
Positive Pressure Application Illustration

Ilustrasi Aplikasi Tekanan Positif



Negative Pressure Application Illustration

Ilustrasi Aplikasi Tekanan Negatif



Specification of Single Stage

Spesifikasi Tahap Pertama

Blower dengan 50 Hz

Fasa	Voltase	Model	Nilai Daya (kw)	Tekanan Maksimal (mbar)	Tekanan Udara Maksimal (m/h)	Tingkat Bising (dB)	Berat (kg)
Single	220	RB30-510	0.38	+85	75	69	13.5
		RB40-510	0.88	+150	144	69	17
		RB40-610	1.1	+190	144	69	18.2
		RB50-510	1.5	+200	210	72	26
Three	220 / 380	RB30-520	0.38	+95	96	69	13
		RB40-520	0.9	+180	144	69	16
		RB50-520	1.5	+220	210	72	23.5
		RB60-520	2.2	+220	306	76	36
		RB60-720	4	+340	306	76	38.4
	380 / 660	RB80-5C0	5.5	+300	510	73	120
		RB80-6C0	7.5	+400	510	73	123
		RB90-4C0	9	+190	1134	76	100
		RB90-5C0	13	+270	1134	76	112
		RB90-6C0	20	+440	1134	76	159

* Note: Blower / Vacuum open / 1 meter distance test 4 points

Blower dengan 50 Hz

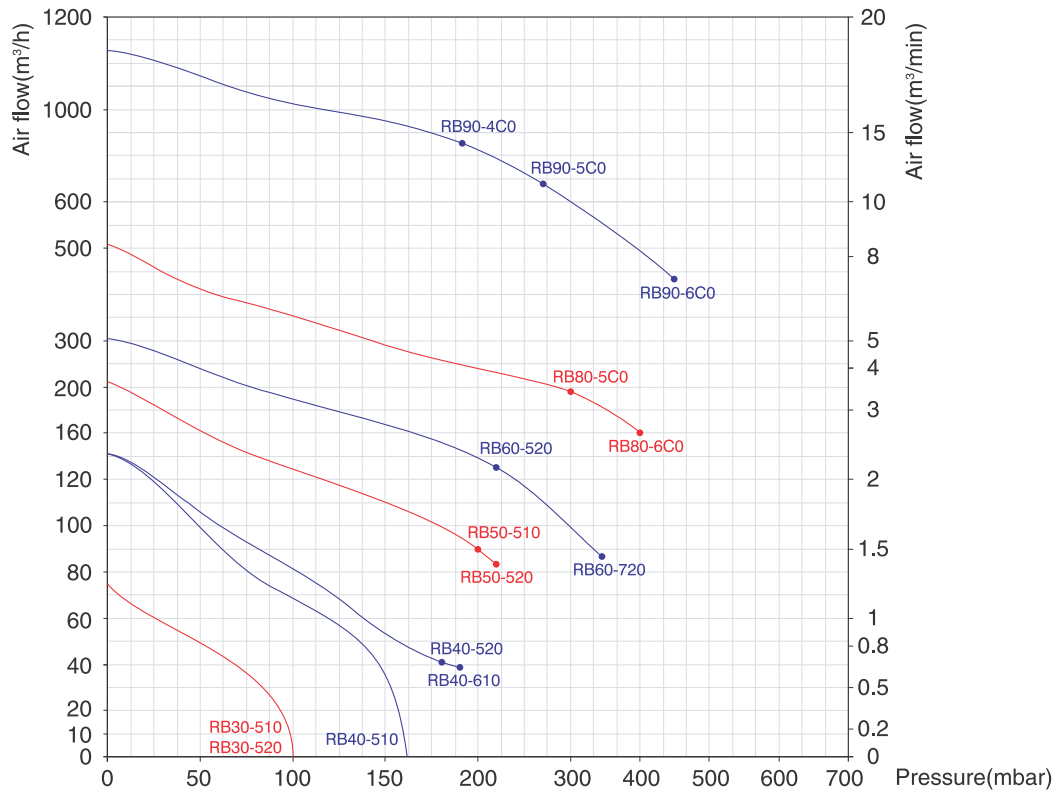
Fasa	Voltase	Model	Nilai Daya (kw)	Hisap Maksimal (mbar)	Tekanan Udara Maksimal (m/h)	Tingkat Bising (dB)	Berat (kg)
Single	220	RB30-510	0.38	-80	75	69	13.5
		RB40-510	0.8	-150	144	69	17
		RB40-610	1.1	-170	144	69	18.2
		RB50-510	1.5	-160	210	72	26
Three	220 / 380	RB30-520	0.38	-80	75	69	13
		RB40-520	0.9	-170	144	69	16
		RB50-520	1.5	-210	210	72	23.5
		RB60-520	2.2	-230	306	76	36
		RB60-720	4	-270	306	76	38.4
	380 / 660	RB80-5C0	5.5	-270	510	73	120
		RB80-6C0	7.5	-300	510	73	123
		RB90-4C0	9	-200	1134	76	100
		RB90-5C0	13	-290	1134	76	112
		RB90-6C0	20	-350	1134	76	159

* Note: Blower / Vacuum open / 1 meter distance test 4 points

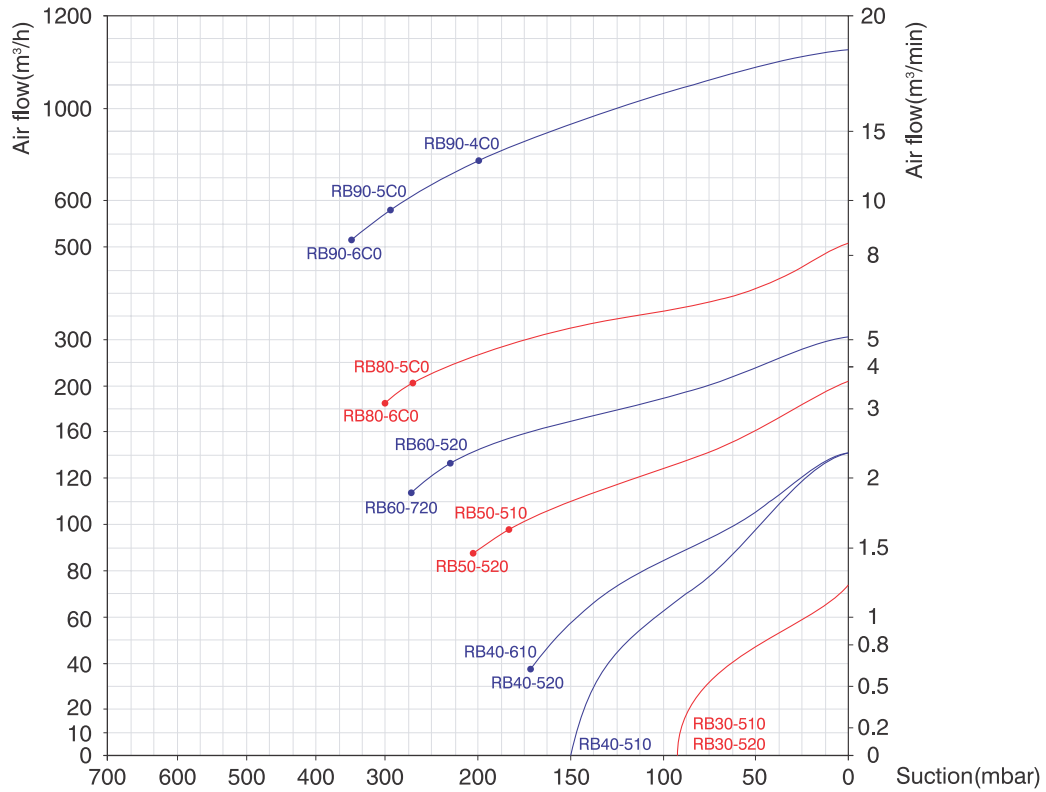
Operation Diagram of Single Stage

Diagram Operasi Tahap Pertama

Blower dengan 50 Hz



Vacuum dengan 50 Hz



Specification of Double Stage

Spesifikasi Tahap Ganda

Blower with 50 Hz

Phase	Voltage	Model	Rated Output (KW)	Max Pressure (mbar)	Max Airflow (m ³ /h)	Noise Level (dB)*	Weight (kg)
Single	220	RB30-1-593	0.7	+240	78	67	16
		RB30-1-693	0.8	+275	78	67	16.3
		RB40-1-793	1.5	+260	144	73	24.4
Three	220 / 380	RB30-1-5B0	0.7	+240	78	67	15.7
		RB30-1-6B3	0.8	+275	78	67	16.2
		RB30-1-7B3	0.9	+250	78	67	16.3
		RB40-1-7B0	3.0	+280	144	73	28
		RB40-1-8B0	2.2	+410	144	73	29
		RB50-1-7B0	3.0	+410	228	76	44
		RB50-1-8B0	4.0	+490	228	76	48
		RB60-1-5B3	2.2	+210	318	77	51
		RB60-1-6B3	3.0	+280	318	77	52
	RB60-1-7B0	4.3	+380	318	77	57	
	380 / 660	RB60-1-8B0	5.0	+500	318	77	77
		RB60-1-9B3	7.5	+570	318	77	80
		RB80-1-4C0	7.5	+350	570	76	112
		RB80-1-5C0	13	+600	570	76	142
		RB80-1-6C0	20	+700	570	76	160

* Note: Blower / Vacuum open / 1 meter distance test 4 points

Vacuum with 50 Hz

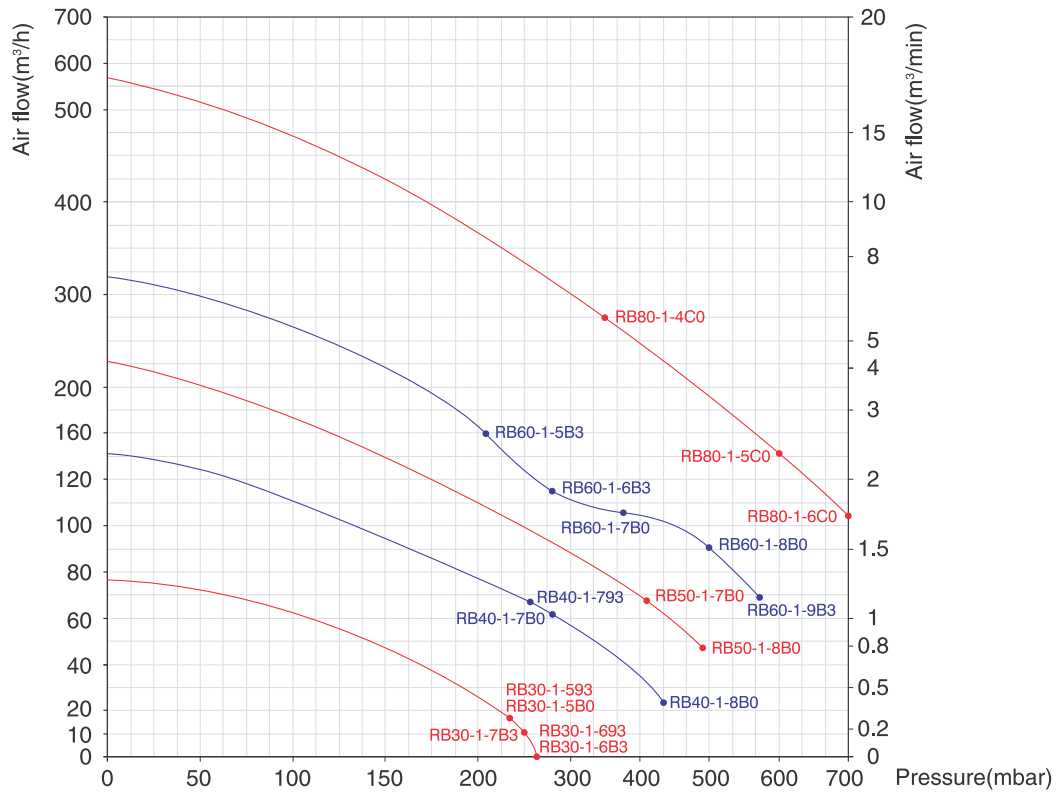
Phase	Voltage	Model	Rated Output (KW)	Max Suction (mbar)	Max Airflow (m ³ /h)	Noise Level (dB)*	Weight (kg)
Single	220	RB30-1-593	0.7	-210	78	67	16
		RB30-1-693	0.8	-225	78	67	16.3
		RB40-1-793	1.5	-280	144	73	24.4
Three	220 / 380	RB30-1-5B0	0.7	-210	78	67	15.7
		RB30-1-6B3	0.8	-220	78	67	16.2
		RB30-1-7B3	0.9	-250	78	67	16.3
		RB40-1-7B0	3.0	-280	144	73	28
		RB40-1-8B0	2.2	-320	144	73	29
		RB50-1-7B0	3.0	-340	228	76	44
		RB50-1-8B0	4.0	-345	228	76	48
		RB60-1-5B3	2.2	-220	318	77	51
		RB60-1-6B3	3.0	-280	318	77	52
	RB60-1-7B0	4.3	-360	318	77	57	
	380 / 660	RB60-1-8B0	5.0	-440	318	77	77
		RB60-1-9B3	7.5	-440	318	77	80
		RB80-1-4C0	7.5	-350	570	76	112
		RB80-1-5C0	13	-430	570	76	142
		RB80-1-6C0	20	-450	570	76	160

* Note: Blower / Vacuum open / 1 meter distance test 4 points

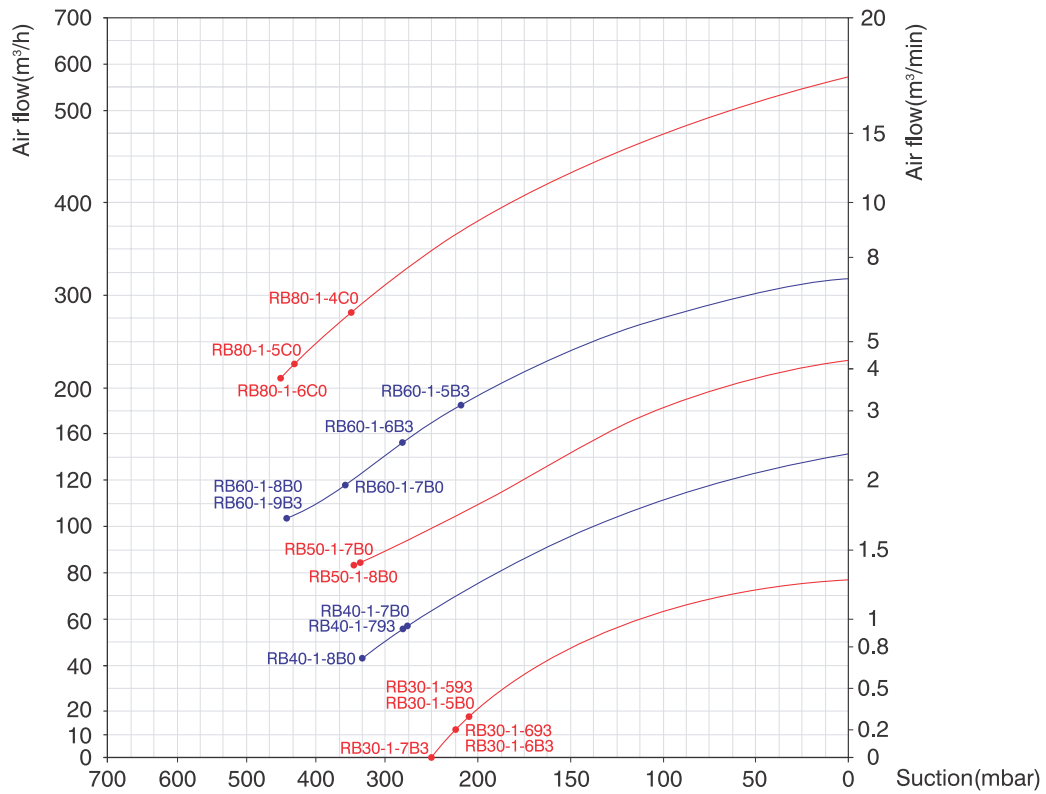
Operation Diagram of Double Stage

Blower dengan 50 Hz

Diagram Operasi Tahap Kedua



Vacuum dengan 50 Hz

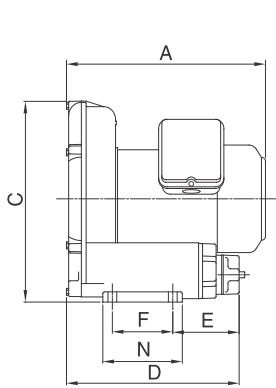


Single Stage Dimensions

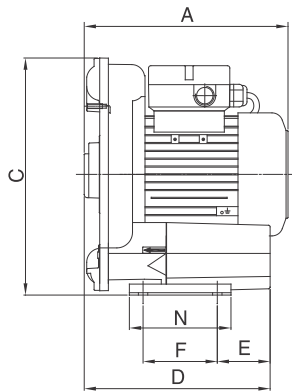
Dimensi Satu Tahap

Model	A	B	C	D	E	F	G	H	I	J	K	L	M	N	Φ 1	Φ 2
RB30-5..	256	255	257	262	117	83	230	205	100	11	130	38	12	110	G1 1/4"	G1 1/4"
RB40-5..	261	286	303	238	68	95	255	225	115	12	154	46	3	130	G1 1/2"	G1 1/2"
RB50-5..	317	333	345	342	142	115	296	260	120	14	175	48	4	155	G2"	G2"
RB60-5..	364	382	383	380	130	140	325	290	125	15	197	53	4.5	180	G2"	G2"
RB60-7..	394	382	383	380	130	140	325	290	125	15	197	53	4.5	180	G2"	G2"
RB80-5..	487	466	498	482	178	280	420	365	145	15	265	91	24	316	G2 1/2"	G2 1/2"
RB80-6..	487	466	498	482	178	280	420	365	145	15	265	91	24	316	G2 1/2"	G2 1/2"
RB90-4..	620	557	630	710	95	600	412	360	210	16	305	95	28	630	PF 4"	PF 4"
RB90-5..	620	557	630	710	95	600	412	360	210	16	305	95	28	630	PF 4"	PF 4"
RB90-6..	620	557	630	710	95	600	412	360	210	16	305	95	28	630	PF 4"	PF 4"

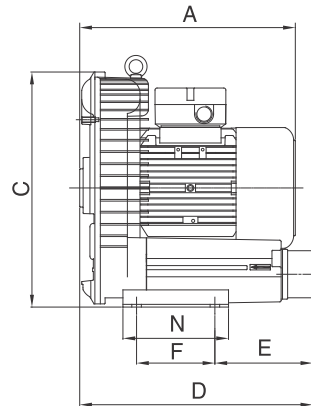
RB30-...



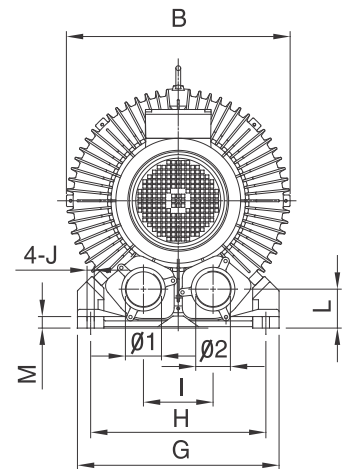
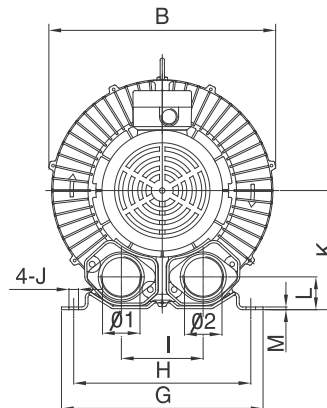
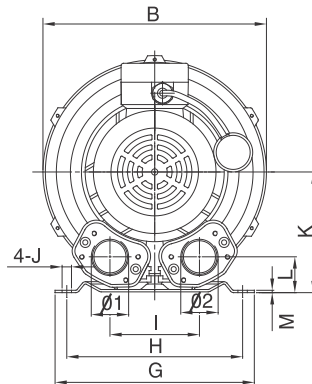
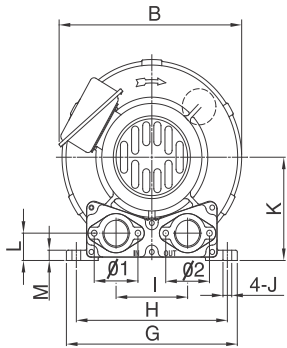
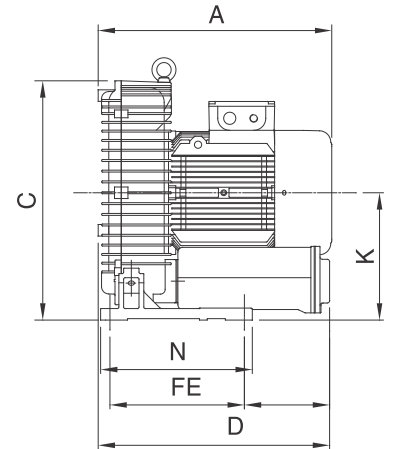
RB40-...



RB50-.../RB60-...



RB80-.../RB90-...

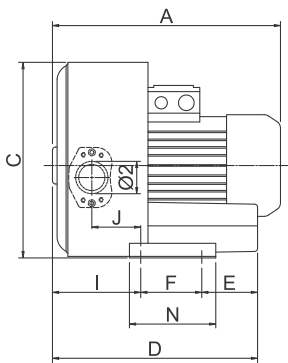


Double Stage Dimensions

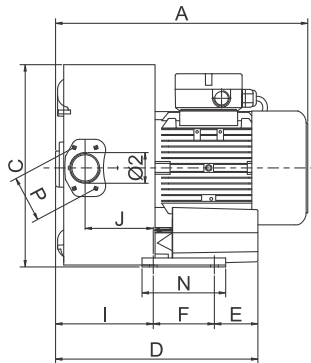
Dimensi Dua Tahap

Model	A	B	C	D	E	F	G	H	I	J	K	L	M	N	O	P	Q	R	Φ1	Φ2
RB30-1-xxx	316	284	271	288	75	83	230	205	130	88	106	39	2.5	108	45	64	10	M6	G1 1/4"	G1 1/4"
RB40-1-xxx	392	321	315	315	68	95	255	225	152	106	154	46	3	130	57	72	12	M6	G1 1/2"	G1 1/2"
RB50-1-7xx	465	372	369	381	97	115	296	260	169	116	144	48	4	155	60	82.5	14	M8	55 mm	55 mm
RB50-1-8xx	495	372	369	381	97	115	296	260	169	116	144	48	4	155	60	82.5	14	M8	55 mm	55 mm
RB60-1-5xx	460	426	414	429	83	140	325	290	206	129	164	53	4.5	180	62	82.5	15	M8	55 mm	55 mm
RB60-1-6xx	460	426	414	429	83	140	325	290	206	129	164	53	4.5	180	62	82.5	15	M8	55 mm	55 mm
RB60-1-7xx	490	426	414	429	83	140	325	290	206	129	164	53	4.5	180	62	82.5	15	M8	55 mm	55 mm
RB60-1-8xx	586	426	414	571	225	140	325	290	206	129	164	53	4.5	180	154	82.5	15	M8	55 mm	55 mm
RB60-1-9xx	586	426	414	571	225	140	325	290	206	129	164	53	4.5	180	154	82.5	15	M8	55 mm	55 mm
RB80-1-xxx	725	498	550	708	298	280	425	365	130	37	215	112	31	318	149	128	16		PF2 - 1/2"	PF2 - 1/2"

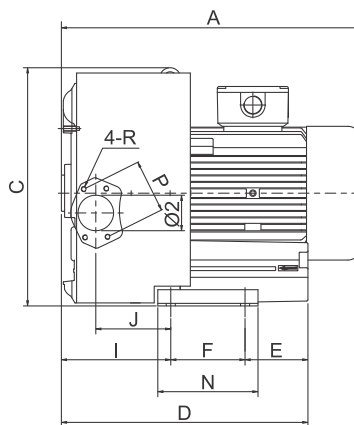
RB30-1-XXX



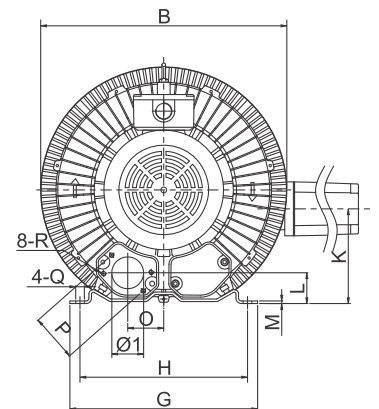
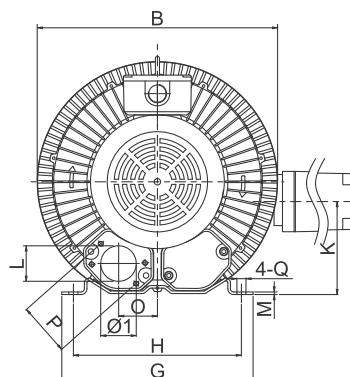
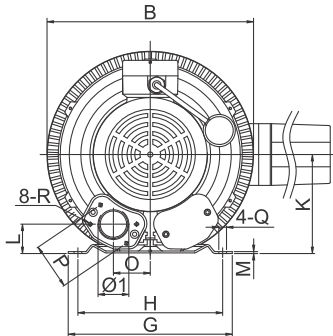
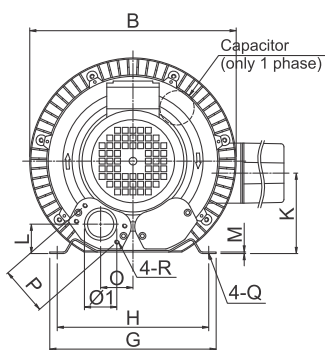
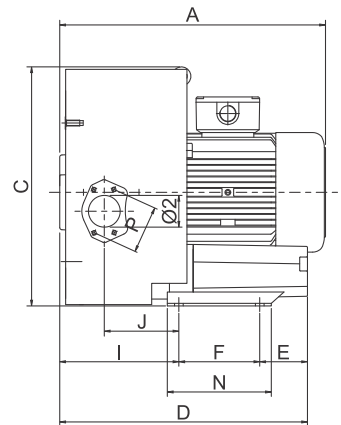
RB40-1-XXX



RB50-1-XXX



RB60-1-XXX





PT INTERJAYA SURYA MEGAH

SOLUTIONS FOR YOUR POWER & TRANSMISSION NEEDS

- Head Office** - Surabaya, Jl. Rungkut Industri III no. 45, Surabaya 60293, **Telp. (031) 9985 0000**, Fax. (031) 9985 1477, E-mail: support@interjaya.com
Website : www.interjaya.com
- Branch Office** - **Tangerang**, Komplek Pergudangan Arcadia Blok G12 No. 10, Jl. Daan Mogot Km 21.5, **Telp. (021) 2900 6565**, Fax. (021) 2900 6547, 2900 6548,
E-mail : ism@interjaya.com
- **Medan**, Irian Barat Pasar VII, Komplek Pergudangan Cemara No. 62, Percut, **Telp. (061) 800 32321**, 0851 0022 1150, Fax. (061) 800 32320
E-mail : ismmedan@interjaya.com
- Rep. Office** - **Bekasi**, Jl. Tol Jakarta Cikampek Km 37, Ruko Spanish Square Blok B No. 6, Kota Deltamas - Cikarang, **Telp. (021) 899 700 10**, Fax. (021) 899 705 55
E-mail : ism.ckr@interjaya.com
- **Tangerang**, Ruko Cabaret Blok KF 02 No. 12, Komplek Mardigras Perum. Citra Raya, Cikupa, **Telp. (021) 2900 3600**, Fax. (021) 2900 3516
E-mail : ism.cikupa@interjaya.com
- **Semarang**, Kawasan Industri Candi, Jl. Gatot Subroto Blok XVI no. 6, **Telp. (024) 7692 8989**, Fax. (024) 7692 8988
E-mail : ismsemarang@interjaya.com
- **Balikpapan**, Jl. Sultan Hasanuddin RT. 068, Graha Indah, Bizhub 52 No. A-15, Kariangau Km 5.5, **Telp. 0851 0015 9527**
E-mail : ismbalikpapan@interjaya.com